

March
2020

PRINCIPAL'S MESSAGE

Mission

The Highbush P.S. Community will provide a positive, safe and collaborative environment that will promote respect for diversity and excellence for all, through active involvement in academic, athletic and artistic pursuits.



HIGHBUSH PUBLIC SCHOOL

Highbush Hawk "Eye"

It's hard to believe it's March already! This has definitely been a winter with unpredictable weather but hopefully we're heading into warmer spring days.

Although term one reports did not go home, our students are continuing to work hard to achieve goals. We have a dedicated staff who work hard each day to help all of our students find their success. Home and school communication is important for child success, so please contact your child's teacher if you have questions regarding your child's progress.

February was a busy month with many Black History and anti-bullying activities, including Pink Shirt Day. We hope that students at Highbush continue to celebrate and accept each other's differences. We also encourage students to speak up against bullying by reporting bullying to a trusted adult. Do not be a bystander! Everyone needs to feel safe and accepted in our building.


On March 7, Pickering schools combined for this year's ProGrant. All families in Pickering are invited to attend Pineridge SS between 10:00-1:00 for a few hours of fun and learning. Resources and information will be available on a variety of topics including well being, cultural diversity and mental health. If you're interested in attending please register at http://bit.ly/Pickering_PRO_Day. Drop ins are also welcome.

A big thank you to our SCC for their sponsorship of XFusion. Hopefully your child has mentioned our special activity where guest speakers have started to teach them about emotional awareness and self regulation. All classes will have three different opportunities to be in the gym with the instructor over four days. Ask your child what they're learning in XFusion and see if they can name one strategy for self regulation.

Our next SCC event is the annual dance-a-thon being held Thursday, March 12. This will not be a fundraiser this year so pledges will not be collected; however, glow sticks will still be available for purchase for \$1 each.



IMPORTANT DATES

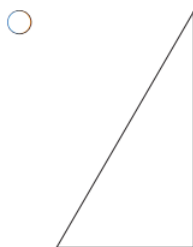
2-5	X-Fusion (K-8)	13-20	 MARCH BREAK!
3	Pizza Day		
10	Pita Day		
12	Dance-a-thon	Apr 3	PA DAY—No School



EQAO Sample Math Questions

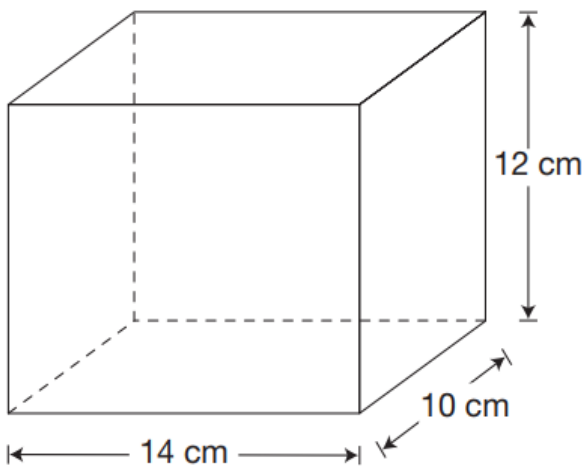
Grade 3

Which shape has **only** one right angle?



Grade 6

What is the surface area of this rectangular prism?



- 1680 cm²
- 856 cm²
- 576 cm²
- 428 cm²

Below is a list of upcoming events / promotions available for purchase. Please visit our website at <https://DDSB.schoolcashonline.com> to register. **IF YOU ARE UNSURE IF YOU HAVE PAID FOR AN ITEM, PLEASE CHECK YOUR PAYMENT HISTORY BEFORE PURCHASING.**

EVENT DATE	EVENT / PROMOTION	PAYMENT DUE	COST
April 7	Pizza Day – meal includes cookie and choice of drink (chocolate milk, white milk, juice or water)	April 1	\$5.00 1 slice \$7.00 2 slices



School Community Council

The next SCC meeting will be held on **April 30, 2020**.

All parents / guardians are welcome to attend and daycare is provided. We hope to see you there.



Highbush parents, we need your help!

Our Fun Fair committee needs 6 volunteers to attend only 3 meetings and be able to volunteer the day of the Fun Fair in order to make it possible. We do not have enough volunteers right now. Unfortunately we cannot make this great community event *that benefits our children* happen without them.

Please email us at highbushfunfair@gmail.com if you are able to help out.

Kindergarten Registration

Junior Kindergarten Registration is open for the upcoming school year starting in September. If you have a child born in 2016, please go on line at ddsb.ca to register your child for school.

THANK YOU!

HIGHBUSH P.S. 605 Stroud's Lane, Pickering ON L1V 5M5 (905) 839-5289  @HighbushHawks

DURHAM DISTRICT SCHOOL BOARD

Superintendent of Education / Pickering Schools: **Jim Markovski** Email: jimmy.markovski@ddsb.ca

Trustee - **Chris Braney** Phone: 905-509-2426 Email: chris.braney@ddsb.ca

Trustee - **Paul Crawford** Phone 905-852-0575 Email: paul.crawford@ddsb.ca





From the DDSB – Some Dates of Significance for March 2020

Faith Days in March

Lent (Orthodox) March 2

Holi March 9th

March is Bangladeshi Heritage Month

Ontario is home to a large and vibrant Bangladeshi community. Across our province, Bangladeshi Canadians people have made significant contributions to science, athletics, and cultural and political development.

March 8th - International Women's Day

International Women's Day is celebrated around the world. Established in 1977 by the United Nations, this special day is an excellent opportunity to recognize the contributions to social justice and international peace and security that have been made by women. March 8th also provides an opportunity to reflect on the progress made to advance women's equality, to assess the challenges facing women in contemporary society, to plan steps to enhance the status of women, and to celebrate the gains made in these areas. The theme for this year is *Generation Equality: Realizing Women's Rights*. The theme is aligned with UN Women's new multigenerational campaign.

<https://www.unwomen.org/en/news/stories/2019/12/announcer-international-womens-day-2020-theme>

March 17th - St. Patrick's Day (Irish)/Irish Heritage Day

Irish immigrants were among the earliest settlers in Canada. In 1845, Irish immigrants, fleeing the potato famine in Ireland, began settling in Ontario in large numbers. They brought to Ontario and Canada their values of hard work, devotion to family, service to the community and the perpetual hope for a better future for themselves and their fellow citizens.

Ontario citizens of Irish descent made significant contributions to the founding of Canada. They have made and continue to make significant contributions to the development of Canada, especially over the more than 150 years since the first large waves of Irish immigration. It is important to recognize and celebrate those contributions.

Today the rich cultural heritage of Canada's Irish community is an integral part of Canadian national culture and identity and belongs, by right, to all Canadians of all backgrounds. As evidence of that fact, the coat of arms of Canada bears several symbols of Irish heritage: the Royal Harp of Tara representing the historic coronation place of the High King or Ard Righ of Ireland and the Shamrock and Cross of Saint Patrick. It is appropriate to recognize March 17, the day of Saint Patrick, the patron saint of the Irish, as Irish Heritage Day in Ontario.

Taken from: <https://www.ontario.ca/laws/statute/s04010>



From the DDSB – Some Dates of Significance for March 2020

March 21st - United Nations International Day for the Elimination of Racism

Beginning in 1966, the International Day for the Elimination of Racial Discrimination has been observed annually on March 21st around the world. On this day in 1960, police opened fire and killed 69 people at a peaceful demonstration against apartheid “pass laws” in Sharpeville, South Africa. This incident provoked outrage and an increased desire to see racial discrimination of all sorts eliminated. This year’s theme is: “Mitigating and countering rising nationalist populism and extreme supremacist ideologies.” Resources: <http://www.un.org/en/events/racialdiscriminationday/resources.shtml>

March 19-Naw Ruz (New Year)

This is the first day of the year in the Baha’i calendar according to the Vernal or Spring Equinox. This day represents the new life of Spring and marks the end of the 19-day period of fasting.

March 25th - International Day of Remembrance - Victims of Slavery and Transatlantic Slave Trade

For over 400 years, more than 15 million men, women and children were the victims of the tragic transatlantic slave trade, one of the darkest chapters in human history. Every year on 25 March, the International Day of Remembrance of the Victims of Slavery and the Transatlantic Slave Trade offers the opportunity to honour and remember those who suffered and died at the hands of the brutal slavery system. The International Day also aims to raise awareness about the dangers of racism and prejudice today. In order to more permanently honour the victims, a memorial has been erected at United Nations Headquarters in New York. The unveiling took place on 25 March 2015. The winning design for the memorial, The Ark of Return by Rodney Leon, an American architect of Haitian descent, was selected through an international competition and announced in September 2013.

Resources: <http://www.un.org/en/events/slaveryremembranceday/resources.shtml>